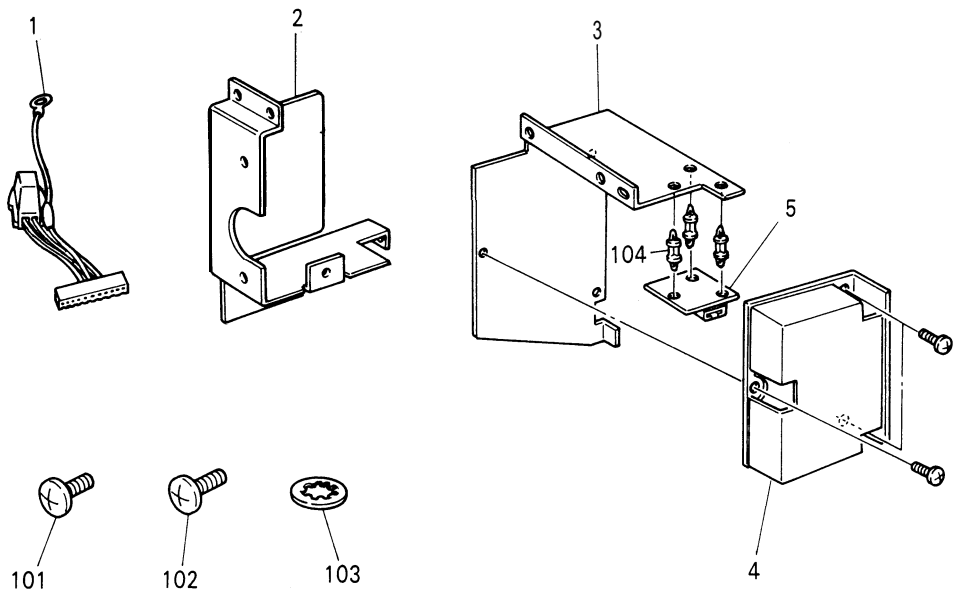


Power Supply Unit (A947)

For DF54



1. ACCESSORIES (A947)

July 30, '88

Index No.	Part No.	Description	Q'ty Per Assembly
1	A947 5200	Interface Harness	1
2	A947 1001	Harness Bracket	1
3	A947 1000	Bracket - Power Supply Unit	1
4	AZ22 0002	DC Power Supply Board - 115V	1
4	AZ22 0003	DC Power Supply Board - 220/240V	1
5	A947 5000	Interface Board	1

Index No.	Part No.	Description	Q'ty Per Assembly
101	0314 0060M	Philips Pan Head Screw - M4x6	
102	0314 0060W	Philips Pan Head Screw - M4x6	
103	0704 0040C	Toothed Washer - M4	
104	1105 0159	P.C.B. Stud	

RESISTOR

SYMBOL NO.	INDEX NO.
R1	103
R2	102

CONNECTOR

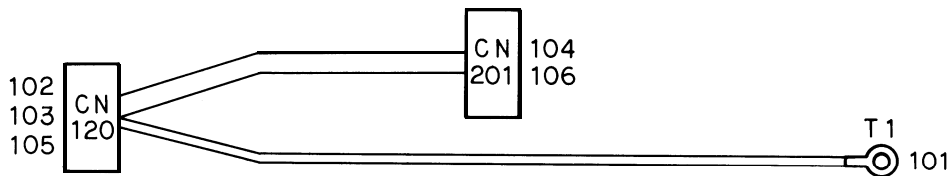
SYMBOL NO.	INDEX NO.
CN251	1
CN252	101

2. INTERFACE BOARD

July 30, '88

Index No.	Part No.	Description	Q'ty Per Assembly
*	A947 5000	Interface Board	1
1	A465 5210	Fiber Connector - 2P	1

Index No.	Part No.	Description	Q'ty Per Assembly
101	1103 1784	Pin Header - 4P	
102	1611 4121	Resistor - 120 OHM 1/4T ±5%	
103	1611 4202	Resistor - 2K OHM 1/4T ±5%	



3. INTERFACE NARNESS

July 30, '88

Index No.	Part No.	Description	Q'ty Per Assembly
*	A947 5200	Interface Harness	1

Index No.	Part No.	Description	Q'ty Per Assembly
101	1100 0504	Closed Terminal - 44mm	
102	1100 1238	Pin - Mate-N-Lock	
103	1100 1239	Pin - Mate-N-Lock	
104	1100 1329	Socket Contact	
105	1102 1509	Connector - 4P	
106	1102 1992	Socket Housing - 12P	

PARTS INDEX

Parts No.	Description	Page and Index No.
A947 1000	Bracket - Power Supply Unit	3-3
A947 1001	Harness Bracket	3-2
A947 5000	Interface Board	3-5
A947 5000	Interface Board	5-*
A947 5200	Interface Harness	3-1
A947 5200	Interface Harness	7-*

Parts No.	Description	Page and Index No.
AZ22 0002	DC Power Supply Board - 115V	3-4
AZ22 0003	DC Power Supply Board - 220/240V	3-4
A465 5210	Fiber Connector - 2P	5-1

Parts No.	Description	Page and Index No.
0314 0060M	Philips Pan Head Screw - M4x6	3-101
0314 0060W	Philips Pan Head Screw - M4x6	3-102
0704 0040C	Toothed Washer - M4	3-103
1100 0504	Closed Terminal - 44mm	7-101
1100 1238	Pin - Mate-N-Lock	7-102
1100 1239	Pin - Mate-N-Lock	7-103
1100 1329	Socket Contact	7-104
1102 1509	Connector - 4P	7-105
1102 1992	Socket Housing - 12P	7-106
1103 1784	Pin Header - 4P	5-101
1105 0159	P.C.B. Stud	3-104
1611 4121	Resistor - 120 OHM 1/4T $\pm 5\%$	5-102
1611 4202	Resistor - 2K OHM 1/4T $\pm 5\%$	5-103

Parts No.	Description	Page and Index No.